

**MUS2-Tungsten Carbide**



The MUS2 secondary cleaner is unique within itself to have a parallelogram designed into the cushion allowing constant blade angle attacking to the material flow, this allows for automatic adjustability within the cleaner for when the belt thickness can vary. The MUS2 is well suited for conveyor belts with mechanical fasteners when the (TI) tungsten impact blade is applied. For Vulcanised belt MATO recommend the (TL) tungsten long-life blade

**MUS3-Tungsten Carbide**



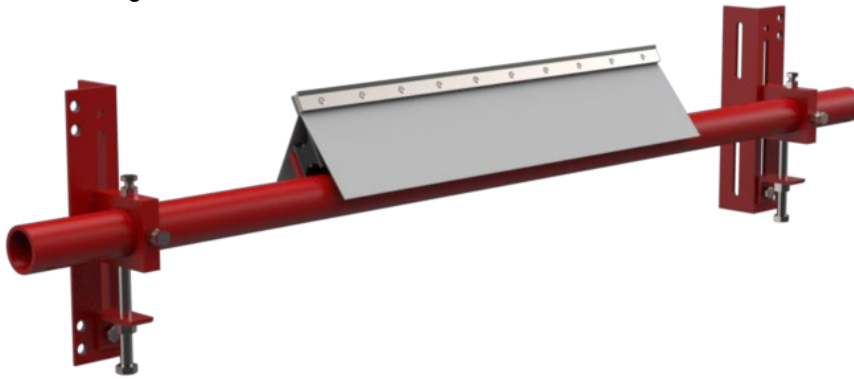
The MUS3 cleaner is designed to fit in small and restricted conveyor areas where limited space is available. With its low profile it is an excellent option for a tungsten carbide secondary belt cleaner. The MUS3 is also designed for reversing conveyor belts such as feeder belts or belts which have roll back. Suitable for conveyors with mechanical belt fasteners.

**MUS3-Polyurethane**



The MUS3 Polyurethane cleaner is a versatile cleaner, can be used as a water wiper or an alternative cleaner within any full system to enhance removal of any remaining material.

### MCS2-Tungsten Carbide



The MCS2 secondary cleaner is an excellent option to reduce the amount of carry back returned down the conveyor line. The MSC2 allows for individual blade movement as each blade/cushion is individually mounted. Can be used as a stand alone cleaner, or for improved performance add in a pre cleaner on the head pulley.

The MSC2 is suitable for vulcanised belts only. There are 2 blade options available (TI) Tungsten Impact blade for harsh conditions, or the (TL) Tungsten Long-life blade where belt conditions are ideal.

### MCS3-Tungsten Carbide



MATO MCS3 Blade cushion combination making this a perfect option for reversing conveyor belts due to its 90 degree angle to the conveyor belt

### MCS4-Tungsten Carbide



The MCS4 secondary cleaner is an excellent option to reduce the amount of carry back returned down the conveyor line. The MSC4 allows for individual blade movement as each blade/cushion is individually mounted. Can be used as a stand alone cleaner, or for improved performance add in a pre cleaner on the head pulley.

The MSC4 is suitable for conveyors with mechanical fasteners

### MCS5-Tungsten Carbide

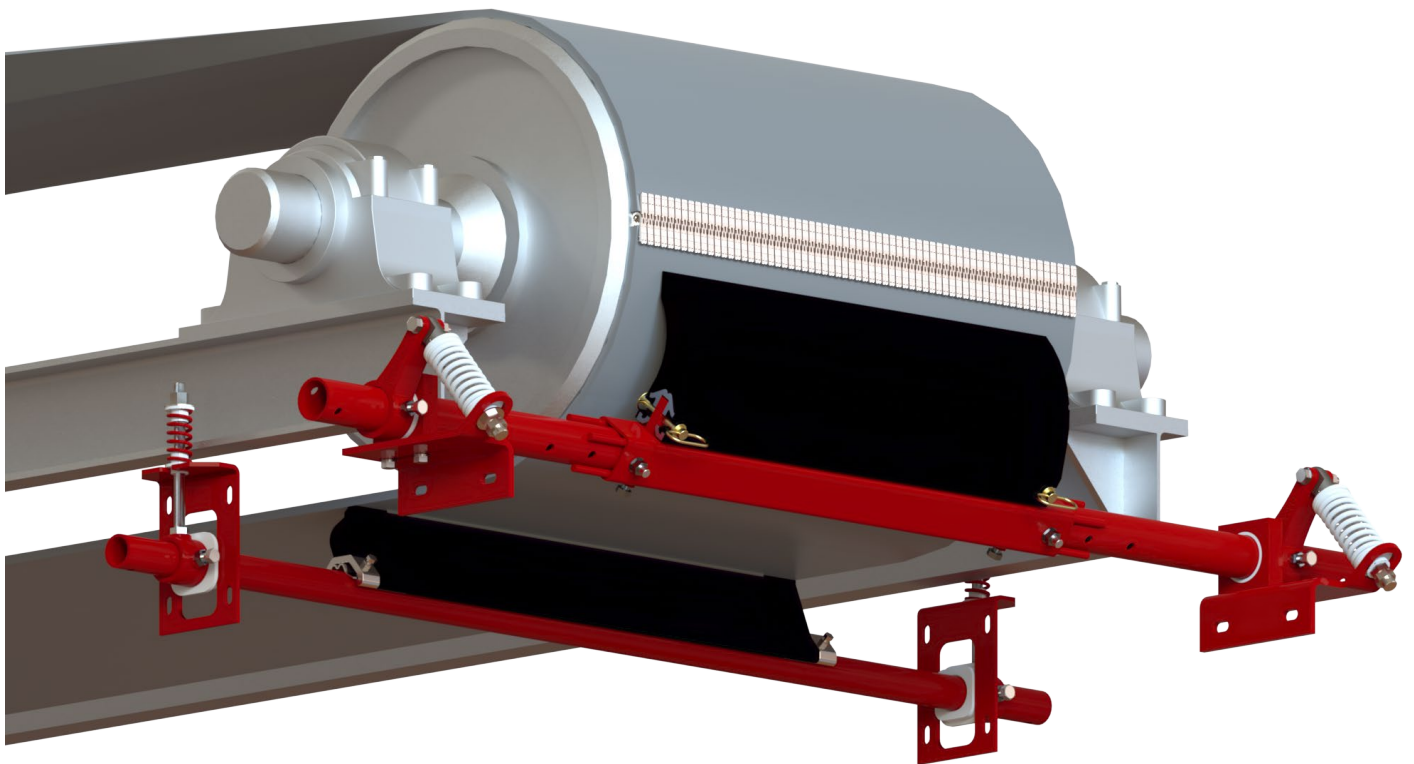


Heavy Duty MCS5 secondary cleaner is an excellent option to reduce the amount of carry back returned down the conveyor line. The MCS5 arrangement has a special hardened steel heat treated blade to withstand abrasion, impact and durability. The MSC5 allows for individual blade movement as each blade/cushion is individually mounted. Can be used as a stand alone cleaner or for improved performance add in a pre cleaner on the head pulley.

The MSC5 is suitable for conveyors with mechanical fasteners

Installation of primary and secondary belt cleaners enhances the performance of any conveyor system.

- \* Reducing the amount of carry back material
- \* Reducing material spillage to minimize clean up work
- \* Reducing the potential hazard of belt mis-tracking
- \* Increase conveyor belt life
- \* Increase production time due to excessive spillage
- \* Protection against wearing components on the conveyor line



### Type of Belt Cleaners

#### Primary Belt Cleaners

- \* Tungsten Carbide for vulcanised conveyor systems
- \* Polyurethane for conveyor systems with mechanical fasteners
- \* Mounted on the head pulley of the conveyor system below the centre line out of the material flow for protection
- \* Removes up to 95% of the fines material

#### Secondary Belt Cleaners

- \* Tungsten Carbide for vulcanised conveyor systems
- \* Specialised Tungsten Carbide for conveyor systems with mechanical fasteners
- \* Mounted directly behind where the conveyor belt leaves the head pulley
- \* Removes the sticky fine or wet material for when Primary Cleaners cannot be installed on the head pulley
- \* Multiple secondary cleaners to be fitted on extreme applications

#### M-Trak segmented Blade Cleaners

The Unique range of all MATO MU M-Trak Cleaners are designed as a slide on and off system for quick and easy installation.

Tension Methods: CS - Compression Spring or AB - Air Bag Tension

Cleaner Type	MUS2	MUS3	MUS3
<b>Blade Material</b>	TC - Tungsten Carbide	TC - Tungsten Carbide	PU - Polyurethane
<b>Blade Increments</b>	150mm	150mm	150mm
<b>Belt Speed</b>	up to 5.0m/s	up to 5.0m/s	up to 3.5m/s
<b>For Reversing Belts</b>	No	Yes	Yes
<b>Mechanical Fasteners</b>	Yes	Yes	Yes

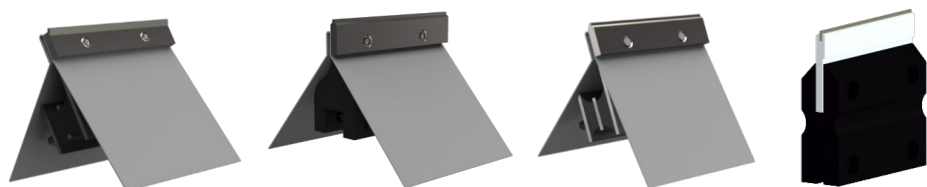


Cushion for the MUS2 and MUS3 are available in 45 and 65 duro hardness for optimum belts speeds.  
The MUS3 PU blade has a hardness of 93a

#### Tungsten Carbide Segmented Blade Cleaners

The MC range of bolt-on secondary cleaners for customers who currently use equivalent products

Cleaner Type	MCS2	MCS3	MCS4	MCS5
<b>Blade Material</b>	TC - Tungsten Carbide	TC - Tungsten Carbide	TC - Tungsten Carbide	TC - Tungsten Carbide
<b>Blade Increments</b>	150mm	150mm	150mm	150mm
<b>Belt Speed</b>	up to 5.0m/s	up to 5.0m/s	up to 5.0m/s	up to 5.0m/s
<b>For Reversing Belts</b>	No	Yes	No	Yes
<b>Mechanical Fasteners</b>	No	Yes	Yes	Yes



#### MATO Tungsten Carbide Secondary Belt Cleaner

- \* MATO has designed specific grades of Tungsten Carbide Tips to work in most harsh conditions
- \* TI - Tungsten Impact for harsh conditions and use on conveyors with mechanical fasteners
- \* TL - Tungsten Long Life for vulcanised belts

Belt Width	Cleaned Width	Description	Part No.	kg
------------	---------------	-------------	----------	----

**MCS2 TI BT SECONDARY BELT CLEANER**  
**Shaft Diameter 60.3mm**

450mm	300mm	MCS2-TI-BT-450	81 211 24 01	33
600mm	450mm	MCS2-TI-BT-600	81 211 24 02	36
750mm	600mm	MCS2-TI-BT-750	81 211 24 03	38
900mm	750mm	MCS2-TI-BT-900	81 211 24 05	41
1050mm	900mm	MCS2-TI-BT-1050	81 211 24 06	48
1200mm	1050mm	MCS2-TI-BT-1200	81 211 24 07	50

**Shaft Diameter 76.1mm**

1400mm	1200mm	MCS2-TI-BT-1400	81 211 24 08	54
1500mm	1350mm	MCS2-TI-BT-1500	81 211 24 09	57
1600mm	1500mm	MCS2-TI-BT-1600	81 211 24 10	62
1800mm	1650mm	MCS2-TI-BT-1800	81 211 24 11	63
2000mm	1800mm	MCS2-TI-BT-2000	81 211 24 12	74

Belt Width	Cleaned Width	Description	Part No.	kg
------------	---------------	-------------	----------	----

**MCS2 TL BT SECONDARY BELT CLEANER**  
**Shaft Diameter 60.3mm**      **P1 Polyurethane Blade**

450mm	300mm	MCS2-TL-BT-450	81 211 14 01	33
600mm	450mm	MCS2-TL-BT-600	81 211 14 02	36
750mm	600mm	MCS2-TL-BT-750	81 211 14 03	38
900mm	750mm	MCS2-TL-BT-900	81 211 14 05	41
1050mm	900mm	MCS2-TL-BT-1050	81 211 14 06	48
1200mm	1050mm	MCS2-TL-BT-1200	81 211 14 07	50

**Shaft Diameter 76.1mm**

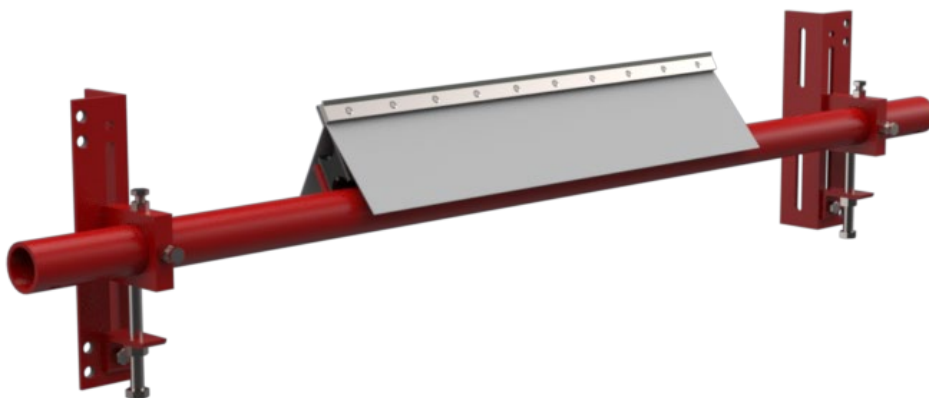
1400mm	1200mm	MCS2-TL-BT-1400	81 211 14 08	54
1500mm	1350mm	MCS2-TL-BT-1500	81 211 14 09	57
1600mm	1500mm	MCS2-TL-BT-1600	81 211 14 10	62
1800mm	1650mm	MCS2-TL-BT-1800	81 211 14 11	63
2000mm	1800mm	MCS2-TL-BT-2000	81 211 14 12	74

The MCS2 secondary cleaner is an excellent option to reduce the amount of carry back returned down the conveyor line. The MSC2 allows for individual blade movement as each blade/cushion is individually mounted. Can be used as a stand alone cleaner, or for improved performance add in a pre cleaner on the head pulley.

The MSC2 is suitable for vulcanised belts only. There are 2 blade options available (TI) Tungsten Impact blade for harsh conditions, or the (TL) Tungsten Long-life blade where belt conditions are ideal.



MATO MCS2 Blade cushion combination making this a perfect option for Vulcanised conveyor belts



**MCS2 SPECIFICATION:**

- \* Belts speeds up to 5.0m/s
- \* Blade Material Tungsten Carbide (TI) = Tungsten Impact for harsh conditions
- \* Blade Material Tungsten Carbide (TL) = Tungsten Long-life for vulcanised belts
- \* Temperature -35°C to 85°C
- \* Standard belt widths 450mm - 2000mm (alternative sizes available upon request)
- \* Not Suitable for mechanical belt fasteners
- \* Not suitable for reversing conveyors

Belt Width	POS No:	Description	Part No.
------------	---------	-------------	----------

	1	MCS2 TI Tungsten Impact Stainless Steel Blade	<b>82 210 00 10</b>
	1	MCS2 TI Body TL Tip Stainless Steel Blade	<b>82 210 00 14</b>
	2	150mm Cushion 70 Shore Stainless Steel	<b>82 210 00 02</b>
	3	150mm Deflector	<b>81 210 00 18</b>
	4	Shaft Mounting Clamp 60.3	<b>81 272 11</b>
	4	Shaft Mounting Clamp 76.1	<b>81 274 12</b>
	5	Adjusting Bracket M16 inc Bolt	<b>81 235 06</b>
	6	M16 X 130 Adjusting Bolt	<b>81 231 16</b>

The MCS2 Tungsten Carbide cleaner has 2 blade options available. The (TI) Tungsten Impact blade option is for harsh conditions, where the (TL) Tungsten Long-life is for vulcanised belts in ideal condition

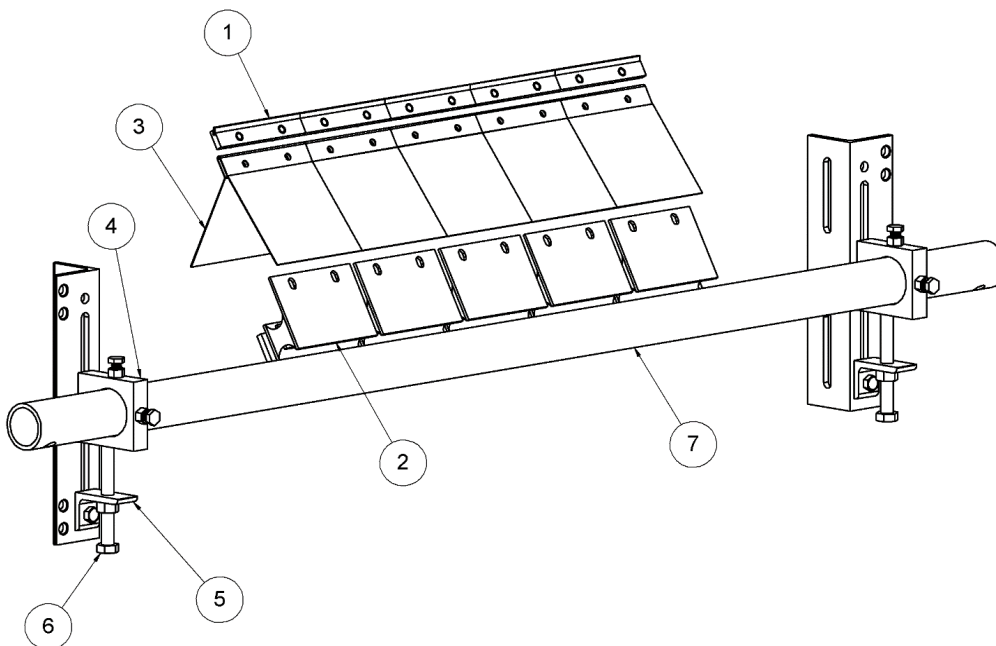
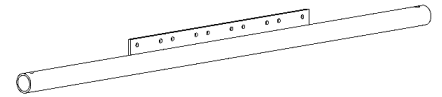


Belt Width	Shaft Diameter 60.3mm		
------------	-----------------------	--	--

<b>450mm</b>	7	MCS2/4 Shaft 450/500mm	<b>81 071 01</b>
<b>500mm</b>	7	MCS2/4 Shaft 500/600mm	<b>81 071 02</b>
<b>650mm</b>	7	MCS2/4 Shaft 650/750mm	<b>81 071 03</b>
<b>800mm</b>	7	MCS2/4 Shaft 800mm	<b>81 072 04</b>
<b>900mm</b>	7	MCS2/4 Shaft 900mm	<b>81 072 05</b>
<b>1050mm</b>	7	MCS2/4 Shaft 1050mm	<b>81 072 06</b>
<b>1200mm</b>	7	MCS2/4 Shaft 1200mm	<b>81 072 07</b>

Belt Width	Shaft Diameter 76.1mm		
------------	-----------------------	--	--

<b>1400mm</b>	7	MCS2/4 Shaft 1400mm	<b>81 073 08</b>
<b>1500mm</b>	7	MCS2/4 Shaft 1500mm	<b>81 073 09</b>
<b>1600mm</b>	7	MCS2/4 Shaft 1600mm	<b>81 073 10</b>
<b>1800mm</b>	7	MCS2/4 Shaft 1800mm	<b>81 073 11</b>
<b>2000mm</b>	7	MCS2/4 Shaft 2000mm	<b>81 073 12</b>



Belt Width	Cleaned Width	Description	Part No.	kg
------------	---------------	-------------	----------	----

**MCS2 TI AB SECONDARY BELT CLEANER**  
Shaft Diameter 60.3mm

900mm	750mm	MCS2-TI-AB-900	81 211 23 05	46
1050mm	900mm	MCS2-TI-AB-1050	81 211 23 06	53
1200mm	1050mm	MCS2-TI-AB-1200	81 211 23 07	55

**Shaft Diameter 76.1mm**

1400mm	1200mm	MCS2-TI-AB-1400	81 211 23 08	59
1500mm	1350mm	MCS2-TI-AB-1500	81 211 23 09	62
1600mm	1500mm	MCS2-TI-AB-1600	81 211 23 10	67
1800mm	1650mm	MCS2-TI-AB-1800	81 211 23 11	68
2000mm	1800mm	MCS2-TI-AB-2000	81 211 23 12	79

The MCS2 secondary cleaner is an excellent option to reduce the amount of carry back returned down the conveyor line. The MSC2 allows for individual blade movement as each blade/cushion is individually mounted. Can be used as a stand alone cleaner, or for improved performance add in a pre cleaner on the head pulley. The MSC2 is suitable for vulcanised belts only. There are 2 blade options available (TI) Tungsten Impact blade for harsh conditions, or the (TL) Tungsten Long-life blade where belt conditions are ideal.

Belt Width	Cleaned Width	Description	Part No.	kg
------------	---------------	-------------	----------	----

**MCS2 TL AB SECONDARY BELT CLEANER**  
Shaft Diameter 60.3mm

900mm	750mm	MCS2-TL-AB-900	81 211 13 05	46
1050mm	900mm	MCS2-TL-AB-1050	81 211 13 06	53
1200mm	1050mm	MCS2-TL-AB-1200	81 211 13 07	55

**Shaft Diameter 76.1mm**

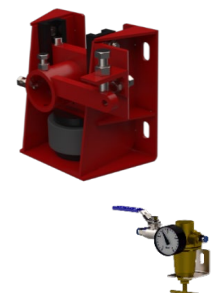
1400mm	1200mm	MCS2-TL-AB-1400	81 211 13 08	59
1500mm	1350mm	MCS2-TL-AB-1500	81 211 13 09	62
1600mm	1500mm	MCS2-TL-AB-1600	81 211 13 10	67
1800mm	1650mm	MCS2-TL-AB-1800	81 211 13 11	68
2000mm	1800mm	MCS2-TL-AB-2000	81 211 13 12	79



MATO MCS2 Blade cushion combination making this a perfect option for Vulcanised conveyor belts



The MCS2 AB systems are supplied with air bag end assemblies, 10 meters of air supply line and pressure regulator.



**MCS2 SPECIFICATION:**

- \* Belts speeds up to 5.0m/s
- \* Blade Material Tungsten Carbide (TI) = Tungsten Impact for harsh conditions
- \* Blade Material Tungsten Carbide (TL) = Tungsten Long-life for vulcanised belts
- \* Temperature -35°C to 85°C
- \* Standard belt widths 450mm - 2000mm (alternative sizes available upon request)
- \* Not Suitable for mechanical belt fasteners
- \* Not suitable for reversing conveyors

Belt Width	POS No:	Description	Part No.
------------	---------	-------------	----------

	1	MCS2 TI Tungsten Impact Stainless Steel Blade	<b>82 220 00 10</b>
	1	MCS2 TI Body TL Tip Stainless Steel Blade	<b>82 210 00 14</b>
	2	MCS2 150mm Cushion 70 Shore Stainless Steel	<b>82 210 00 02</b>
	3	150mm Deflector	<b>81 210 00 18</b>
	4	MAB Clamp Block 60.3	<b>81 302 11</b>
	4	MAB Clamp Block 76.1	<b>81 304 10</b>
	5	Polyurethane Guide Block	<b>81 223 02</b>
	6	Air Bag Stabilizing Plate	<b>81 235 08</b>
	7	Air Bag Assembly includes Covers and Fitting	<b>81 100 00 40</b>
	8	Elbow Fitting	<b>81 245 10</b>
	9	Air Valve Assembly and Regulator Kit	<b>81 100 00 90</b>

The MCS2 Tungsten Carbide cleaner has 2 blade options available. The (TI) Tungsten Impact blade option is for harsh conditions, where the (TL) Tungsten Long-life is for vulcanised belts in ideal condition

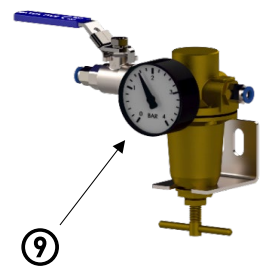
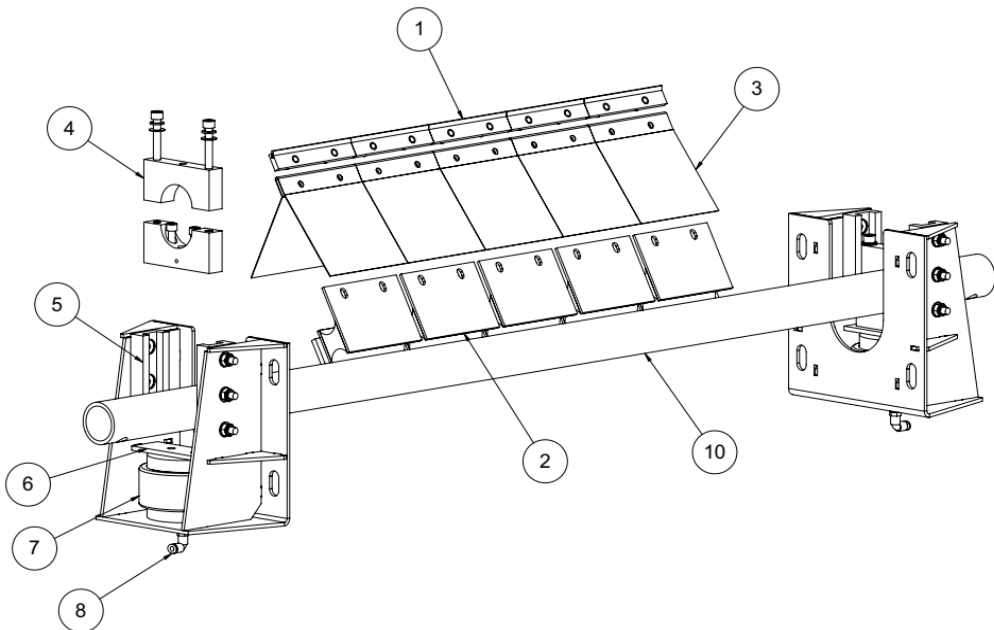
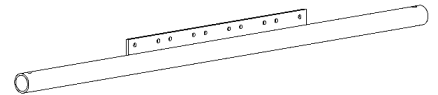


Belt Width	Shaft Diameter 60.3mm		
------------	-----------------------	--	--

<b>900mm</b>	10	MCS2 Shaft 900mm	<b>81 072 05</b>
<b>1050mm</b>	10	MCS2 Shaft 1050mm	<b>81 072 06</b>
<b>1200mm</b>	10	MCS2 Shaft 1200mm	<b>81 072 07</b>

Belt Width	Shaft Diameter 76.1mm		
------------	-----------------------	--	--

<b>1400mm</b>	10	MCS2 Shaft 1400mm	<b>81 073 08</b>
<b>1500mm</b>	10	MCS2 Shaft 1500mm	<b>81 073 09</b>
<b>1600mm</b>	10	MCS2 Shaft 1600mm	<b>81 073 10</b>
<b>1800mm</b>	10	MCS2 Shaft 1800mm	<b>81 073 11</b>
<b>2000mm</b>	10	MCS2 Shaft 2000mm	<b>81 073 12</b>





Belt Width	Cleaned Width	Description	Part No.	kg
------------	---------------	-------------	----------	----

**MCS2 TI BT SECONDARY STAINLESS STEEL BELT CLEANER**  
**Shaft Diameter 48.3mm**

450mm	300mm	MCS2-TI-BT-450-S/S	82 211 44 01	33
600mm	450mm	MCS2-TI-BT-600-S/S	82 211 44 02	36
750mm	600mm	MCS2-TI-BT-750-S/S	82 211 44 03	38

**Shaft Diameter 60.3mm**

900mm	750mm	MCS2-TI-BT-900-S/S	82 211 44 05	41
1050mm	900mm	MCS2-TI-BT-1050-S/S	82 211 44 06	48
1200mm	1050mm	MCS2-TI-BT-1200-S/S	82 211 44 07	50

**Shaft Diameter 73.0mm**

1400mm	1200mm	MCS2-TI-BT-1400-S/S	82 211 44 08	54
1500mm	1350mm	MCS2-TI-BT-1500-S/S	82 211 44 09	57
1600mm	1500mm	MCS2-TI-BT-1600-S/S	82 211 44 10	62
1800mm	1650mm	MCS2-TI-BT-1800-S/S	82 211 44 11	63
2000mm	1800mm	MCS2-TI-BT-2000-S/S	82 211 44 12	74

Belt Width	Cleaned Width	Description	Part No.	kg
------------	---------------	-------------	----------	----

**MCS2 TL BT SECONDARY STAINLESS STEEL BELT CLEANER**  
**Shaft Diameter 48.3mm**

450mm	300mm	MCS2-TL-BT-450-S/S	82 211 45 01	33
600mm	450mm	MCS2-TL-BT-600-S/S	82 211 45 02	36
750mm	600mm	MCS2-TL-BT-750-S/S	82 211 45 03	38

**Shaft Diameter 60.3mm**

900mm	750mm	MCS2-TL-BT-900-S/S	82 211 45 05	41
1050mm	900mm	MCS2-TL-BT-1050-S/S	82 211 45 06	48
1200mm	1050mm	MCS2-TL-BT-1200-S/S	82 211 45 07	50

**Shaft Diameter 73.0mm**

1400mm	1200mm	MCS2-TL-BT-1400-S/S	82 211 45 08	54
1500mm	1350mm	MCS2-TL-BT-1500-S/S	82 211 45 09	57
1600mm	1500mm	MCS2-TL-BT-1600-S/S	82 211 45 10	62
1800mm	1650mm	MCS2-TL-BT-1800-S/S	82 211 45 11	63
2000mm	1800mm	MCS2-TL-BT-2000-S/S	82 211 45 12	74

The MCS2 secondary cleaner is an excellent option to reduce the amount of carry back returned down the conveyor line. The MSC2 allows for individual blade movement as each blade/cushion is individually mounted. Can be used as a stand alone cleaner, or for improved performance add in a pre cleaner on the head pulley.

The MSC2 is suitable for vulcanised belts only. There are 2 blade options available (TI) Tungsten Impact blade for harsh conditions, or the (TL) Tungsten Long-life blade where belt conditions are ideal.



MATO MCS2 Blade cushion combination making this a perfect option for Vulcanised conveyor belts



**MCS2 SPECIFICATION:**

- \* Belts speeds up to 5.0m/s
- \* Blade Material Tungsten Carbide (TI) = Tungsten Impact for harsh conditions
- \* Blade Material Tungsten Carbide (TL) = Tungsten Long-life for vulcanised belts
- \* Temperature -35°C to 85°C
- \* Standard belt widths 450mm - 2000mm (alternative sizes available upon request)
- \* Not Suitable for mechanical belt fasteners
- \* Not suitable for reversing conveyors

Belt Width	POS No:	Description	Part No.
	1	MCS2 TI Tungsten Impact Stainless Steel Blade	<b>82 220 00 10</b>
	1	MCS2 TI Body TL Tip Stainless Steel Blade	<b>82 210 00 14</b>
	2	MCS2 150mm Cushion 70 Shore Stainless Steel	<b>82 210 00 02</b>
	3	150mm Deflector	<b>81 210 00 18</b>
	4	Shaft Mounting Block 60.3	<b>82 232 14</b>
	4	Shaft Mounting Block 73.0	<b>82 233 15</b>
	5	Adjusting Angle Bracket	<b>82 235 02</b>
	6	M16 x 130 Stainless Steel Adjusting Bolt	<b>81 231 16</b>

The MCS2 Tungsten Carbide cleaner has 2 blade options available. The (TI) Tungsten Impact blade option is for harsh conditions, where the (TL) Tungsten Long-life is for vulcanised belts in ideal condition

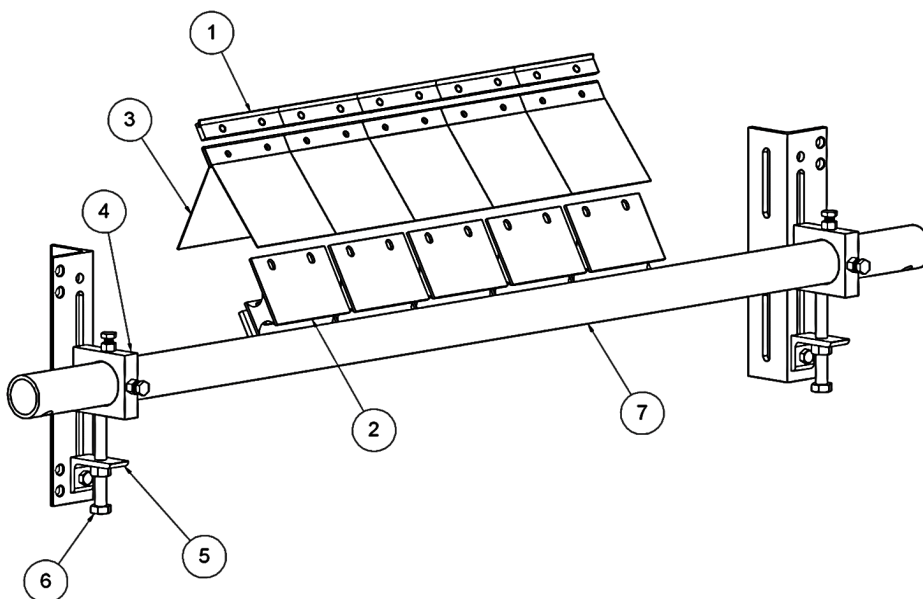
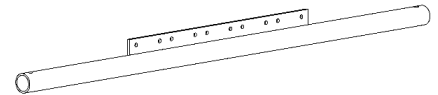


**MCS2 Shaft      Stainless Steel Shaft Diameter 60.3mm**

<b>450mm</b>	7	MSC2/4 Shaft 450/500mm	<b>82 071 01</b>
<b>500mm</b>	7	MSC2/4 Shaft 500/600mm	<b>82 071 02</b>
<b>650mm</b>	7	MSC2/4 Shaft 650/750mm	<b>82 071 03</b>
<b>800mm</b>	7	MSC2/4 Shaft 800mm	<b>82 072 04</b>
<b>900mm</b>	7	MSC2/4 Shaft 900mm	<b>82 072 05</b>
<b>1050mm</b>	7	MSC2/4 Shaft 1050mm	<b>82 072 06</b>
<b>1200mm</b>	7	MSC2/4 Shaft 1200mm	<b>82 072 07</b>

**MCS2 Shaft      Stainless Steel Shaft Diameter 73.0mm**

<b>1400mm</b>	7	MSC2/4 Shaft 1400mm	<b>82 073 08</b>
<b>1500mm</b>	7	MSC2/4 Shaft 1500mm	<b>82 073 09</b>
<b>1600mm</b>	7	MSC2/4 Shaft 1600mm	<b>82 073 10</b>
<b>1800mm</b>	7	MSC2/4 Shaft 1800mm	<b>82 073 11</b>
<b>2000mm</b>	7	MSC2/4 Shaft 2000mm	<b>82 073 12</b>



Belt Width	Cleaned Width	Description	Part No.	kg
------------	---------------	-------------	----------	----

**MCS3 TI BT SECONDARY BELT CLEANER**  
**Shaft Diameter 60.3mm**

450mm	300mm	MCS3-TI-BT-450	81 221 24 01	59
600mm	450mm	MCS3-TI-BT-600	81 221 24 02	63
750mm	600mm	MCS3-TI-BT-750	81 221 24 03	68
900mm	750mm	MCS3-TI-BT-900	81 221 24 05	75
1050mm	900mm	MCS3-TI-BT-1050	81 221 24 06	82
1200mm	1050mm	MCS3-TI-BT-1200	81 221 24 07	86

**Shaft Diameter 76.1mm**

1400mm	1200mm	MCS3-TI-BT-1400	81 221 24 08	93
1500mm	1350mm	MCS3-TI-BT-1500	81 221 24 09	99
1600mm	1500mm	MCS3-TI-BT-1600	81 221 24 10	104
1800mm	1650mm	MCS3-TI-BT-1800	81 221 24 11	111
2000mm	1800mm	MCS3-TI-BT-2000	81 221 24 12	118

Belt Width	Cleaned Width	Description	Part No.	kg
------------	---------------	-------------	----------	----

**MCS3 TL BT SECONDARY BELT CLEANER**  
**Shaft Diameter 60.3mm**

450mm	300mm	MCS3-TL-BT-450	81 221 14 01	59
600mm	450mm	MCS3-TL-BT-600	81 221 14 02	63
750mm	600mm	MCS3-TL-BT-750	81 221 14 03	68
900mm	750mm	MCS3-TL-BT-900	81 221 14 05	75
1050mm	900mm	MCS3-TL-BT-1050	81 221 14 06	82
1200mm	1050mm	MCS3-TL-BT-1200	81 221 14 07	86

**Shaft Diameter 76.1mm**

1400mm	1200mm	MCS3-TL-BT-1400	81 221 14 08	93
1500mm	1350mm	MCS3-TL-BT-1500	81 221 14 09	99
1600mm	1500mm	MCS3-TL-BT-1600	81 221 14 10	104
1800mm	1650mm	MCS3-TL-BT-1800	81 221 14 11	111
2000mm	1800mm	MCS3-TL-BT-2000	81 221 14 12	118

The MCS3 secondary cleaner is an excellent option to reduce the amount of carry back returned down the conveyor line. The MSC3 allows for individual blade movement as each blade/cushion is individually mounted. Can be used as a stand alone cleaner, or for improved performance add in a pre cleaner on the head pulley. The MSC3 cleaner is suitable for conveyor belts with mechanical fasteners. In addition the MCS3 is used for reversing / feeder conveyors. 2 blade options are available (TI) Tungsten Impact blade for mechanical fasteners or (TL) Tungsten Long-life blade were belt conditions are ideal.



MATO MCS3 Blade cushion combination making this a perfect option for reversing conveyor belts due to its 90 degree angle to the conveyor belt



**MCS3 SPECIFICATION:**

- \* Belts speeds up to 5.0m/s
- \* Blade Material Tungsten Carbide (TI) = Tungsten Impact for mechanical fasteners
- \* Blade Material Tungsten Carbide (TL) = Tungsten Long-life for vulcanised belts
- \* Temperature -35°C to 85°C
- \* Standard belt widths 450mm - 2000mm (alternative sizes available upon request)
- \* Suitable for reversing conveyors
- \* Suitable for mechanical belt fasteners when using TI blade

Belt Width	POS No:	Description	Part No.
------------	---------	-------------	----------

	1	MCS3 150mm TI Tungsten Impact Blade	82 220 00 10
	1	MCS3 150mm TL Tungsten Long Life Blade	82 220 00 11
	2	150mm Deflector	81 220 00 18
	3	MCS3 150mm Cushion 70 Shore	81 220 00 02
	4	Shaft Mounting Clamp 60.3	81 272 11
	4	Shaft Mounting Clamp 76.1	81 274 12
	5	Adjusting Bracket M16 inc Bolt	81 235 06
	6	M16 X 130 Adjusting Bolt	81 231 16

The MCS3 Tungsten Carbide cleaner has 2 blade options available. The (TI) Tungsten Impact blade option is for mechanical fasteners, where the (TL) Tungsten Long-life is for vulcanised belts in ideal condition

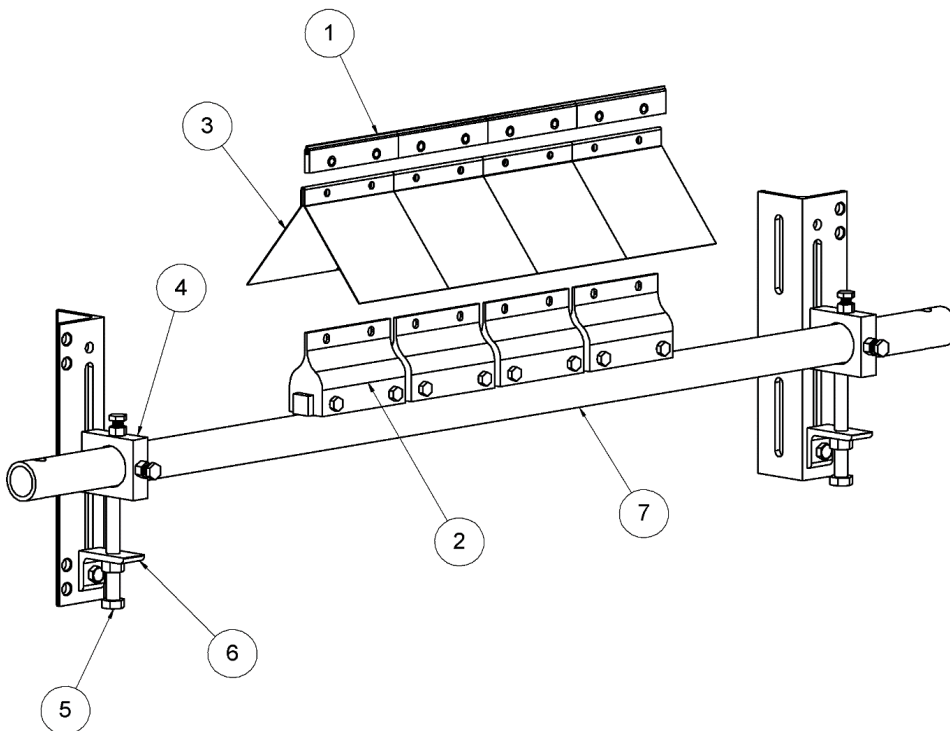
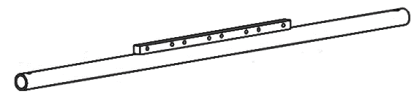


Belt Width	Shaft Diameter 60.3mm		
------------	-----------------------	--	--

450mm	7	MCS3 Shaft 450/500mm	81 081 01
500mm	7	MCS3 Shaft 500/600mm	81 081 02
650mm	7	MCS3 Shaft 650/750mm	81 081 03
800mm	7	MCS3 Shaft 800mm	81 082 04
900mm	7	MCS3 Shaft 900mm	81 082 05
1050mm	7	MCS3 Shaft 1050mm	81 082 06
1200mm	7	MCS3 Shaft 1300mm	81 082 07

Belt Width	Shaft Diameter 76.1mm		
------------	-----------------------	--	--

1400mm	7	MCS3 Shaft 1400mm	81 084 08
1500mm	7	MCS3 Shaft 1500mm	81 084 09
1600mm	7	MCS3 Shaft 1600mm	81 084 10
1800mm	7	MCS3 Shaft 1800mm	81 084 11
2000mm	7	MCS3 Shaft 2000mm	81 084 12



Belt Width	Cleaned Width	Description	Part No.	kg
------------	---------------	-------------	----------	----

**MCS4 TI BT SECONDARY BELT CLEANER**  
**Shaft Diameter 60.3mm**

450mm	300mm	MCS4-TI-BT-450	81 231 24 01	33
600mm	450mm	MCS4-TI-BT-600	81 231 24 02	36
750mm	600mm	MCS4-TI-BT-750	81 231 24 03	38
900mm	750mm	MCS4-TI-BT-900	81 231 24 05	41
1050mm	900mm	MCS4-TI-BT-1050	81 231 24 06	48
1200mm	1050mm	MCS4-TI-BT-1200	81 231 24 07	50

**Shaft Diameter 76.1mm**

1400mm	1200mm	MCS4-TI-BT-1400	81 231 24 08	54
1500mm	1350mm	MCS4-TI-BT-1500	81 231 24 09	57
1600mm	1500mm	MCS4-TI-BT-1600	81 231 24 10	62
1800mm	1650mm	MCS4-TI-BT-1800	81 231 24 11	63
2000mm	1800mm	MCS4-TI-BT-2000	81 231 24 12	74

The MCS4 secondary cleaner is an excellent option to reduce the amount of carry back returned down the conveyor line. The MSC4 allows for individual blade movement as each blade/cushion is individually mounted. Can be used as a stand alone cleaner, or for improved performance add in a pre cleaner on the head pulley.

The MSC4 is suitable for conveyors with mechanical fasteners



MATO MCS4 Blade cushion combination making this a perfect option for conveyors with mechanical fasteners



**MCS4 SPECIFICATION:**

- \* Belts speeds up to 5.0m/s
- \* Blade Material Tungsten Carbide (TI) = Tungsten Impact for mechanical fasteners
- \* Temperature -35°C to 85°C
- \* Standard belt widths 450mm - 2000mm (alternative sizes available upon request)
- \* Suitable for mechanical belt fasteners
- \* Not suitable for reversing conveyors

Belt Width	POS No:	Description	Part No.
------------	---------	-------------	----------

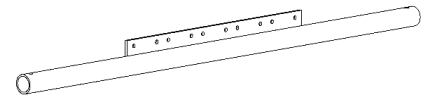
	1	150mm TI Tungsten Impact Blade	82 220 00 10
	2	150mm Deflector	81 210 00 18
	3	150mm Cushion 70 Shore	82 210 00 02
	4	Shaft Mounting Clamp 60.3	81 272 11
	4	Shaft Mounting Clamp 76.1	81 274 12
	5	Adjusting Bracket M16 inc Bolt	81 235 06
	6	M16 X 130 Adjusting Bolt	81 231 16

The **MCS4** Tungsten Carbide cleaner has the (TI) Tungsten Impact blade option for mechanical fasteners



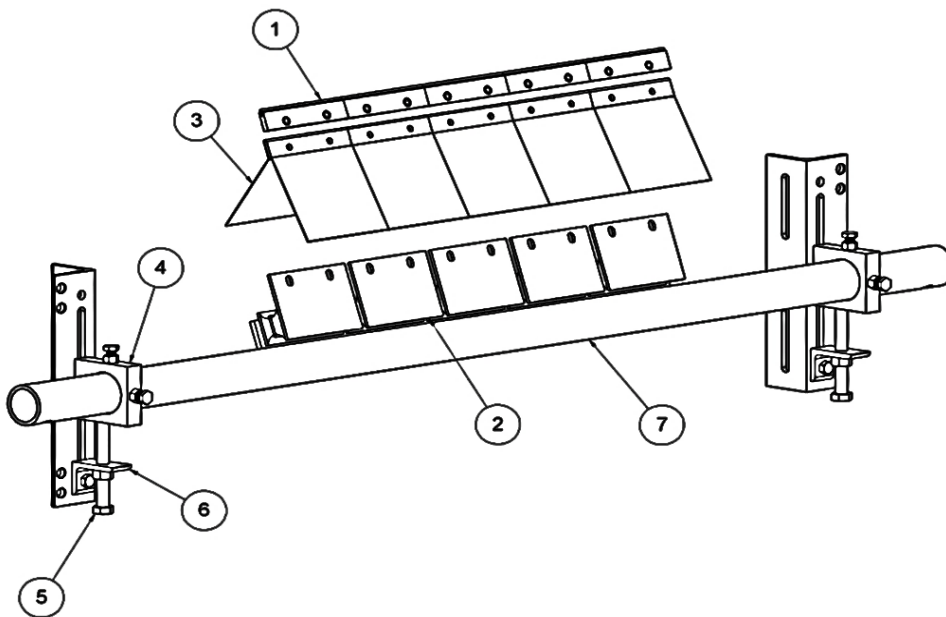
MCS4 Shaft	Shaft Diameter 60.3mm
------------	-----------------------

450mm	7	MCS2/4 Shaft 450/500mm	81 071 01
500mm	7	MCS2/4 Shaft 500/600mm	81 071 02
650mm	7	MCS2/4 Shaft 650/750mm	81 071 03
800mm	7	MCS2/4 Shaft 800mm	81 072 04
900mm	7	MCS2/4 Shaft 900mm	81 072 05
1050mm	7	MCS2/4 Shaft 1050mm	81 072 06
1200mm	7	MCS2/4 Shaft 1200mm	81 072 07



MCS4 Shaft	Shaft Diameter 76.1mm
------------	-----------------------

1400mm	7	MCS2/4 Shaft 1400mm	81 073 08
1500mm	7	MCS2/4 Shaft 1500mm	81 073 09
1600mm	7	MCS2/4 Shaft 1600mm	81 073 10
1800mm	7	MCS2/4 Shaft 1800mm	81 073 11
2000mm	7	MCS2/4 Shaft 2000mm	81 073 12



Belt Width	Cleaned Width	Description	Part No.	kg
------------	---------------	-------------	----------	----

**MCS4 TI AB SECONDARY BELT CLEANER**  
**Shaft Diameter 60.3mm**

<b>1050mm</b>	900mm	MCS4-TI-AB-1050	<b>81 231 23 06</b>	53
<b>1200mm</b>	1050mm	MCS4-TI-AB-1200	<b>81 231 23 07</b>	55

**Shaft Diameter 76.1mm**

<b>1400mm</b>	1200mm	MCS4-TI-AB-1400	<b>81 231 23 08</b>	59
<b>1500mm</b>	1350mm	MCS4-TI-AB-1500	<b>81 231 23 09</b>	62
<b>1600mm</b>	1500mm	MCS4-TI-AB-1600	<b>81 231 23 10</b>	67
<b>1800mm</b>	1650mm	MCS4-TI-AB-1800	<b>81 231 23 11</b>	68
<b>2000mm</b>	1800mm	MCS4-TI-AB-2000	<b>81 231 23 12</b>	79

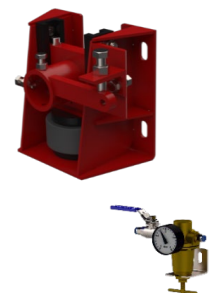
The MCS4 secondary cleaner is an excellent option to reduce the amount of carry back returned down the conveyor line. The MSC4 allows for individual blade movement as each blade/cushion is individually mounted. Can be used as a stand alone cleaner, or for improved performance add in a pre cleaner on the head pulley. The MSC4 is suitable for conveyors with mechanical fasteners



MATO MCS4 Blade cushion combination making this a perfect option for conveyors with mechanical fasteners



The MCS4 AB systems are supplied with air bag end assemblies, 10 meters of air supply line and pressure regulator.



**MCS4 SPECIFICATION:**

- \* Belts speeds up to 5.0m/s
- \* Blade Material Tungsten Carbide (TI) = Tungsten Impact for mechanical fasteners
- \* Temperature -35°C to 85°C
- \* Standard belt widths 450mm - 2000mm (alternative sizes available upon request)
- \* Suitable for mechanical belt fasteners
- & Not suitable for reversing conveyors

Belt Width	POS No:	Description	Part No.
------------	---------	-------------	----------

	1	150mm TI Tungsten Impact Blade	82 220 00 10
	2	150mm Cushion 70 Shore	82 210 00 02
	3	150mm Deflector	81 210 00 18
	4	MAB Clamp Block 60.3	81 302 11
	4	MAB Clamp Block 76.1	81 304 10
	5	Polyurethane Guide Block	81 223 02
	6	Air Bag Stabilizing Plate	81 235 08
	7	Air Bag Assembly includes Covers and Fitting	81 100 00 40
	8	Elbow Fitting	81 245 10
	9	Air Valve Assembly and Regulator Kit	81 100 00 90

The **MCS4** Tungsten Carbide cleaner has the (TI) Tungsten Impact blade option for mechanical fasteners

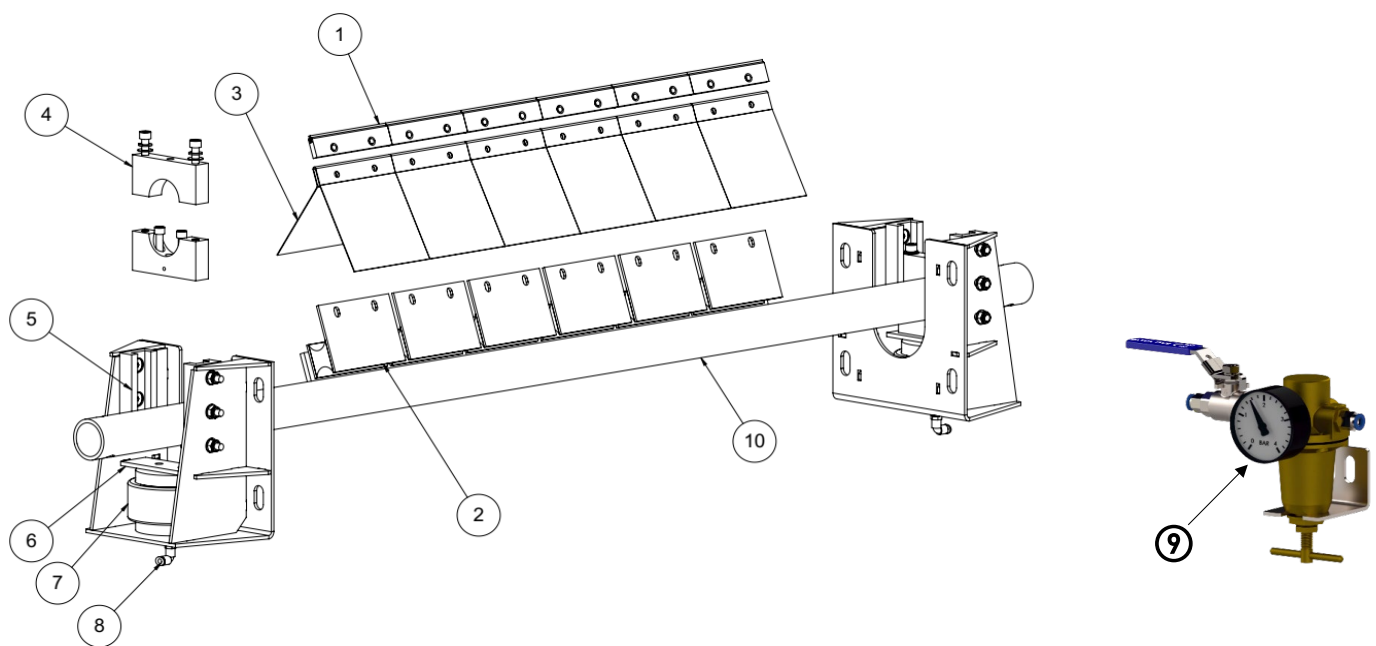
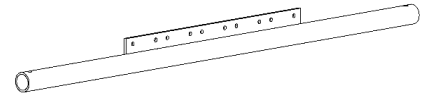


Belt Width	Shaft Diameter 60.3mm		
------------	-----------------------	--	--

900mm	10	MCS4 Shaft 900mm	81 072 05
1050mm	10	MCS4 Shaft 1050mm	81 072 06
1200mm	10	MCS4 Shaft 1200mm	81 072 07

Belt Width	Shaft Diameter 76.1mm		
------------	-----------------------	--	--

1400mm	10	MCS4 Shaft 1400mm	81 073 08
1500mm	10	MCS4 Shaft 1500mm	81 073 09
1600mm	10	MCS4 Shaft 1600mm	81 073 10
1800mm	10 <td MCS4 Shaft 1800mm	81 073 11	
2000mm	10	MCS4 Shaft 2000mm	81 073 12





Belt Width	Cleaned Width	Description	Part No.	kg
------------	---------------	-------------	----------	----

**MCS4 TI BT SECONDARY STAINLESS STEEL BELT CLEANER**  
**Shaft Diameter 60.3mm**

<b>450mm</b>	300mm	MCS4-TI-BT-450-S/S	<b>82 231 44 01</b>	33
<b>600mm</b>	450mm	MCS4-TI-BT-600-S/S	<b>82 231 44 02</b>	36
<b>750mm</b>	600mm	MCS4-TI-BT-750-S/S	<b>82 231 44 03</b>	38
<b>900mm</b>	750mm	MCS4-TI-BT-900-S/S	<b>82 231 44 05</b>	41
<b>1050mm</b>	900mm	MCS4-TI-BT-1050-S/S	<b>82 231 44 06</b>	48
<b>1200mm</b>	1050mm	MCS4-TI-BT-1200-S/S	<b>82 231 44 07</b>	50

**Shaft Diameter 73.0mm**

<b>1400mm</b>	1200mm	MCS4-TI-BT-1350-S/S	<b>82 231 44 08</b>	54
<b>1500mm</b>	1350mm	MCS4-TI-BT-1500-S/S	<b>82 231 44 09</b>	57
<b>1600mm</b>	1500mm	MCS4-TI-BT-1600-S/S	<b>82 231 44 10</b>	62
<b>1800mm</b>	1650mm	MCS4-TI-BT-1800-S/S	<b>82 231 44 11</b>	63
<b>2000mm</b>	1800mm	MCS4-TI-BT-2000-S/S	<b>82 231 44 12</b>	74

The MCS4 secondary cleaner is an excellent option to reduce the amount of carry back returned down the conveyor line. The MSC4 allows for individual blade movement as each blade/cushion is individually mounted. Can be used as a stand alone cleaner, or for improved performance add in a pre cleaner on the head pulley. The MSC4 is suitable for conveyors with mechanical fasteners



MATO MCS4 Blade cushion combination making this a perfect option for conveyors with mechanical fasteners

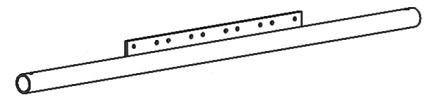


**MCS4 SPECIFICATION:**

- \* Belts speeds up to 5.0m/s
- \* Blade Material Tungsten Carbide (TI) = Tungsten Impact for mechanical fasteners
- \* Temperature -35°C to 85°C
- \* Standard belt widths 450mm - 2000mm (alternative sizes available upon request)
- \* Suitable for mechanical belt fasteners
- \* Not suitable for reversing conveyors

Belt Width	POS No:	Description	Part No.
	1	150mm TI Tungsten Impact Blade	82 210 00 10
	2	150mm Cushion 70 Shore	82 210 00 02
	3	150mm Deflector	81 210 00 18
	4	Shaft Mounting Block 60.3	82 232 14
	4	Shaft Mounting Block 73.0	82 233 15
	5	Adjusting Angle Bracket	82 235 02
	6	M16 x 130 Stainless Steel Adjusting Bolt	81 231 16

The **MCS4** Tungsten Carbide cleaner has the (TI) Tungsten Impact blade option for mechanical fasteners

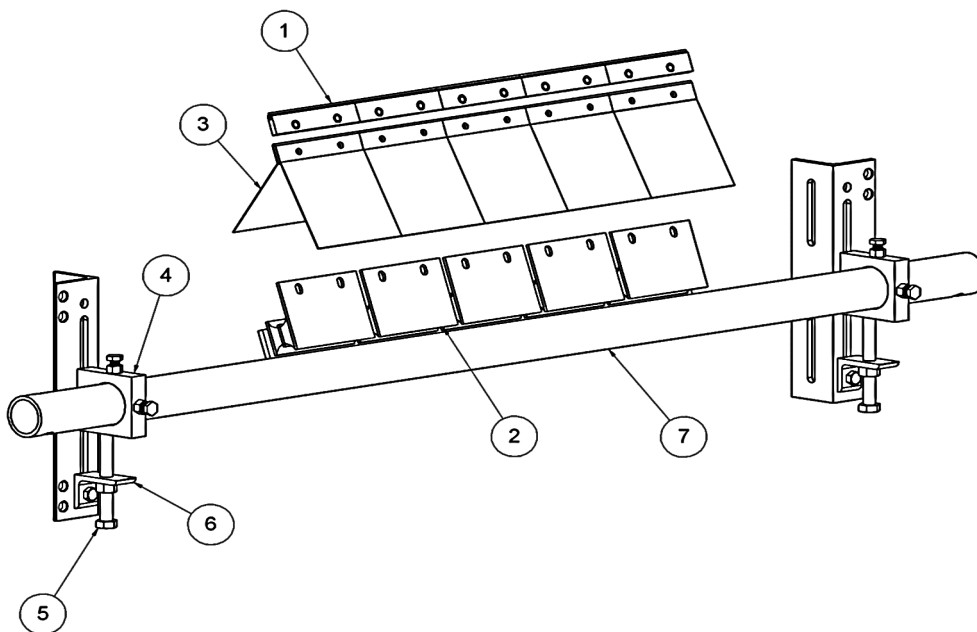


**Belt Width**      **Stainless Steel Shaft Diameter 60.3mm**

450mm	7	MSC2/4 Shaft 450/500mm	82 071 01
500mm	7	MSC2/4 Shaft 500/600mm	82 071 02
650mm	7	MSC2/4 Shaft 650/750mm	82 071 03
800mm	7	MSC2/4 Shaft 800mm	82 072 04
900mm	7	MSC2/4 Shaft 900mm	82 072 05
1050mm	7	MSC2/4 Shaft 1050mm	82 072 06
1200mm	7	MSC2/4 Shaft 1200mm	82 072 07

**Belt Width**      **Stainless Steel Shaft Diameter 73.0mm**

1400mm	7	MSC2/4 Shaft 1400mm	82 073 08
1500mm	7	MSC2/4 Shaft 1500mm	82 073 09
1600mm	7	MSC2/4 Shaft 1600mm	82 073 10
1800mm	7	MSC2/4 Shaft 1800mm	82 073 11
2000mm	7	MSC2/4 Shaft 2000mm	82 073 12



Belt Width	Cleaned Width	Description	Part No.	kg
------------	---------------	-------------	----------	----

**MCS5 TI CS SECONDARY BELT CLEANER**  
Shaft Diameter 76.1mm

450mm	300mm	MCS5-TI-CS-450	81 236 24 01	
600mm	450mm	MCS5-TI-CS-600	81 236 24 02	
750mm	600mm	MCS5-TI-CS-750	81 236 24 03	
900mm	750mm	MCS5-TI-CS-900	81 236 24 05	
1050mm	900mm	MCS5-TI-CS-1050	81 236 24 06	
1200mm	1050mm	MCS5-TI-CS-1200	81 236 24 07	
1400mm	1200mm	MCS5-TI-CS-1400	81 236 24 08	
1500mm	1350mm	MCS5-TI-CS-1500	81 236 24 09	
1600mm	1500mm	MCS5-TI-CS-1600	81 236 24 10	
1800mm	1650mm	MCS5-TI-CS-1800	81 236 24 11	
2000mm	1800mm	MCS5-TI-CS-2000	81 236 24 12	

Heavy Duty MCS5 secondary cleaner is an excellent option to reduce the amount of carry back returned down the conveyor line. The MCS5 arrangement has a special hardened steel heat treated blade to with stand abrasion, impact and durability. The MSC5 allows for individual blade movement as each blade/cushion is individually mounted. Can be used as a stand alone cleaner or for improved performance add in a pre cleaner on the head pulley. The MSC5 is suitable for conveyors with mechanical fasteners



MATO MCS5 Blade cushion combination making this a perfect option for conveyors with mechanical fasteners and high impact zones



**MCS5 SPECIFICATION:**

- \* Belts speeds up to 5.0m/s
- \* Blade Material Tungsten Carbide (TI) = Tungsten Impact for mechanical fasteners
- \* Temperature -35°C to 85°C
- \* Standard belt widths 450mm - 2000mm (alternative sizes available upon request)
- \* Suitable for mechanical belt fasteners
- \* Suitable for reversing conveyors

Belt Width	POS No:	Description	Part No.
------------	---------	-------------	----------

	1	MCS5 TI WHITE BLADE	81 480 00 10
	2	MCS5 CUSHION	81 480 00 01
	3	Clamp Block 76.1	81 304 10
	4	PU GUIDE BLOCK	81 223 02
	5	Red Spring suits (450mm - 1050mm)	81 312 21
	5	Silver Spring suits (1200mm - 2000mm)	81 314 22
	6	BLADE/CUSHION BOLT KIT	81 220 00 20

The MCS5 Tungsten Carbide cleaner has 3 blade options available. The (TI) Tungsten Impact blade option is for harsh conditions, where the (TL) Tungsten Long-life is for vulcanised belts in ideal condition



RED SPRING ASSEMBLY (450 - 1050MM) BELT  
SILVER SPRING ASSEMBLY (1200 - 2000MM) BELT



Belt Width	Shaft Diameter 76.1mm		
------------	-----------------------	--	--

450mm	7	MCS5 Shaft 450mm	81 075 01
500mm	7	MCS5 Shaft 500/600mm	81 075 02
650mm	7	MCS5 Shaft 650/750mm	81 075 03
800mm	7	MCS5 Shaft 800mm	81 075 04
900mm	7	MCS5 Shaft 900mm	81 075 05
1050mm	7	MCS5 Shaft 1050mm	81 075 06
1200mm	7	MCS5 Shaft 1200mm	81 075 07
1400mm	7	MCS5 Shaft 1400mm	81 075 08
1500mm	7	MCS5 Shaft 1500mm	81 075 09
1600mm	7	MCS5 Shaft 1600mm	81 075 10
1800mm	7	MCS5 Shaft 1800mm	81 075 11
2000mm	7	MCS5 Shaft 2000mm	81 075 12

